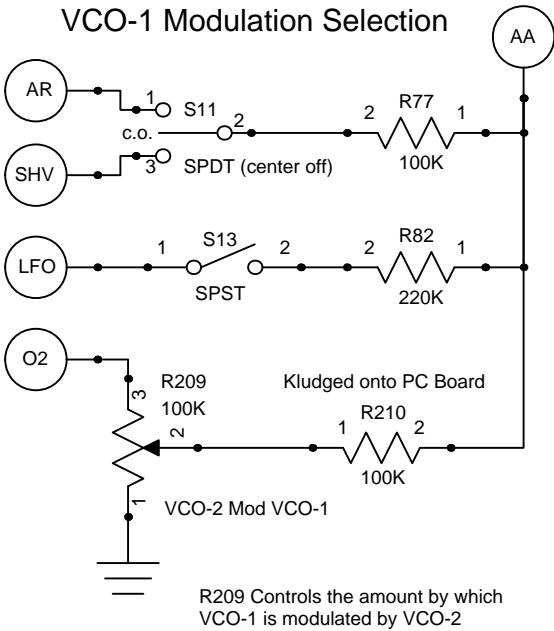
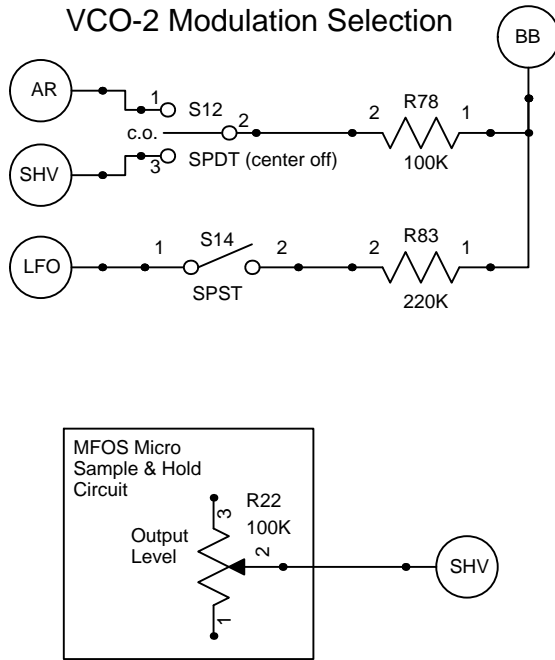


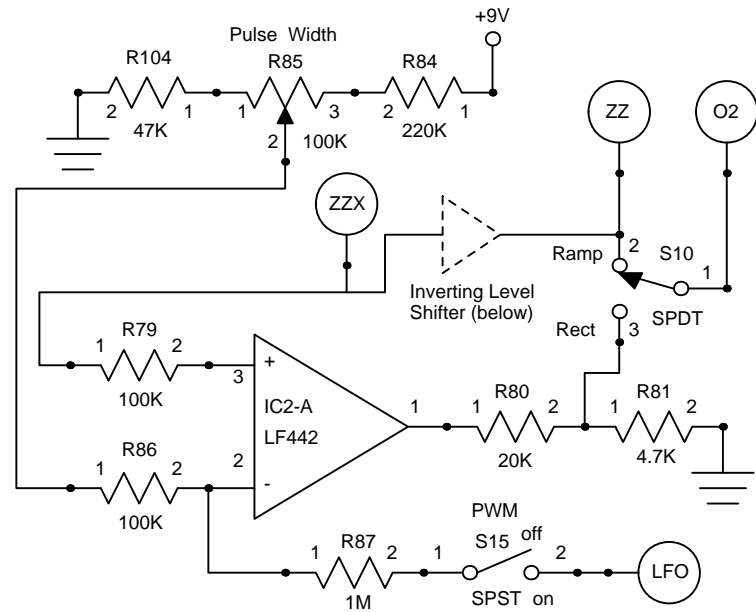
### VCO-1 Modulation Selection



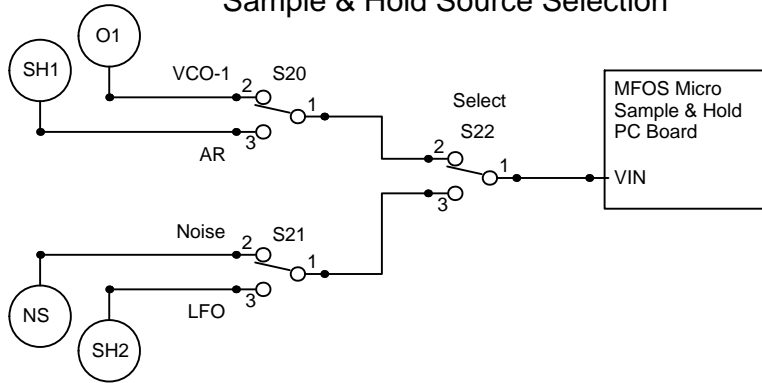
### VCO-2 Modulation Selection



### VCO-2 PWM and Wave Selection

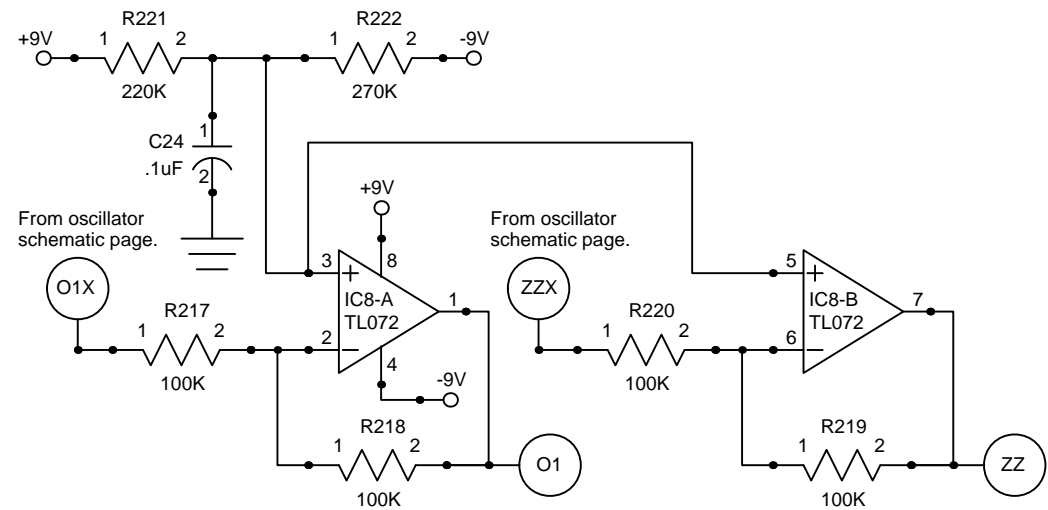


### Sample & Hold Source Selection



### Ramp Wave Inverting Level Shifters

(These level shifters are kludged onto the PC board in the kludge area).



## MUSIC FROM OUTER SPACE

### Sound Lab Mini-Synth

All material copyright Ray Wilson and Music From Outer Space 2008